

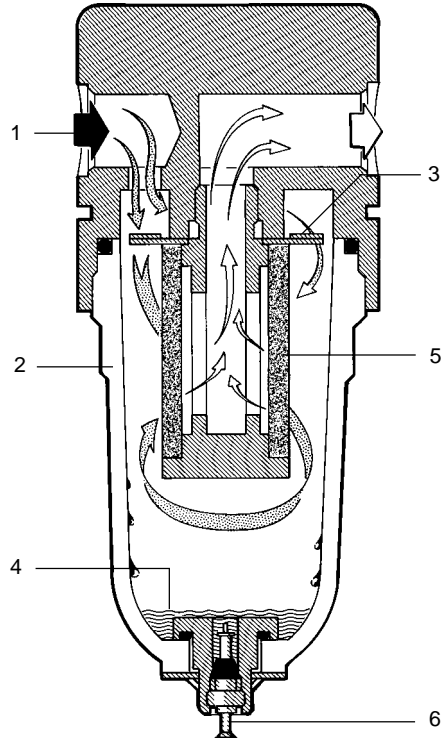
## Spirax-Monnier MF Miniature Compressed Air Filter Installation and Maintenance Instructions

### How does it work

The Spirax-Monnier MF2 filter combines the advantages of a centrifugal separator and a fine mesh filter. Contaminated compressed air (1) is directed onto the inside of the bowl (2) by the multi bladed whirl disc (3). This preliminary separation allows most of the liquids and the larger solid particles to pass down into the sump (4) away from any turbulence. The air is then filtered by the 5 micron element (5) before passing into the system. Ensure that the bowl is regularly drained by means of the quick action drain valve (6).

### Warning

Polycarbonate bowls are attacked by phosphate ester fluids, solvents, paint thinners and carbon tetrachloride. These and similar substances compressor lubricating oils also contain additives harmful to polycarbonate and, where there is any doubt we recommend, in the interests of safety, that a bowl guard should be fitted.



### To Service Filter

Shut off air. Remove bowl guard if fitted. Release pressure by opening manual drain or gently unscrewing the bowl until pressure relieves.

Remove bowl and unscrew element retaining nut and withdraw filter assembly.

Wipe all parts clean using soap and water. Dry thoroughly. Reassemble with new element and gasket. Do not overtighten bowl.

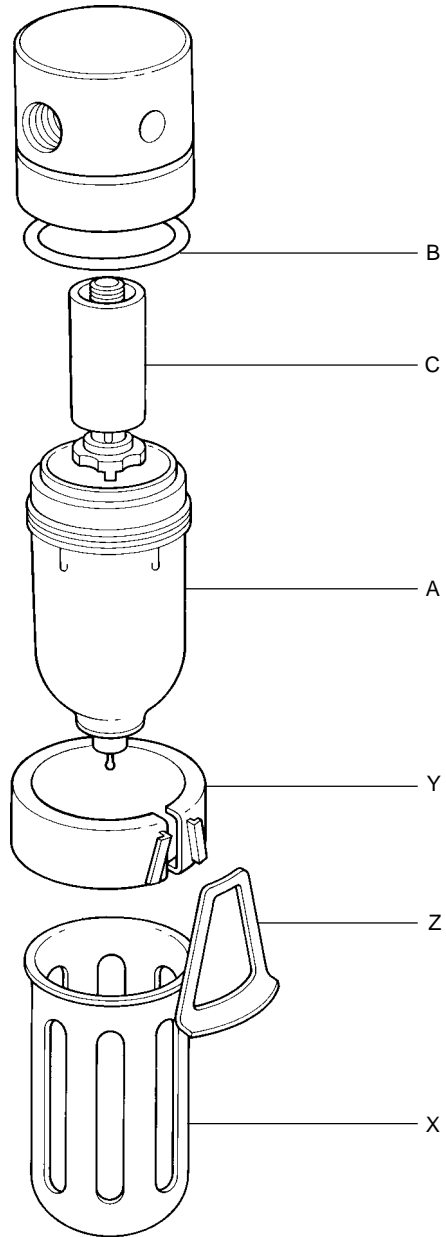
### Spare parts

#### AVAILABLE SPARE

Bowl Assembly	A,B
Element Set (Packet of 3 of each) 5µm	B,C
Bowl Guard Assembly	X,Y,Z

#### How to order

Example — 1 Element Set for ¼"  
Spirax-Monnier MF2.



---

# Spirax-Monnier Products

## General Safety, Installation and Maintenance Guidelines

### WARNING

**As with all Pressurised Systems, do NOT attempt ANY Installation or Maintenance function if there is ANY pressure in the product or connected system.**

### Spirax-Monnier

Spirax Monnier compressed air products are of well proven and simple design, with high natural levels of designed safety built in. However, used or installed incorrectly, their performance and that of the system they are protecting or controlling, may suffer. The information given indicates the product limiting conditions, maintenance and installation requirements and any specific component disposal needs.

### Product Maintenance - See Over

#### Installation and Operation

1. Filters, Filter/Regulators, Lubricators, Flow Meters, Separators and Drain Traps should be fitted in horizontal pipelines, with the bowls vertically downwards.
2. Regulators and Ball Valves can be installed in any position.
3. On Pressure Regulators and combined Filter/regulators, a Pressure Gauge can be connected to one of the  $\frac{1}{8}$ " ports. The gauge should be selected to cover the maximum pressure range of the main Control Spring. The gauge will indicate the downstream or controlled pressure.
4. Ensure that the Control Spring range for Regulators and Filter/Regulators fully meets the pressure requirements of the system.
5. There are Maximum Operating Pressures, and Maximum Operating and Environmental Temperatures for each product. These are shown in the table below.
6. Adequate space should be provided around any product to allow easy access for routine servicing requirements.
7. Products fitted with a Bowl ( Polycarbonate or Metal ) should be adequately drained - manually or automatically - to reduce the potentially harmful effects of water carryover.
8. **WARNING** Polycarbonate Bowls and Sight Domes, and Sight Levels fitted to Metal bowls, may be attacked by Phosphate Ester based fluids, Solvents, Chemical cleaners, Carbon Tetrachloride, etc. These and other similar substances should never be allowed to come into contact with these product components. Certain compressor lubricating oils also contain additives harmful to these components. Where there is any doubt, we recommend, in the interests of safety, that Bowl Guards or Metal Bowls are fitted.
9. Local regulations may restrict the use of this product below the conditions quoted.
10. For more detailed information on any individual product, please ask for the appropriate Technical Information Sheet listed in the table.

**For Maximum Pressures/Temperatures see overleaf**

## MAXIMUM PRESSURES/TEMPERATURES

FILTERS	Polycarbonate Bowl		Metal Bowl		Metal Bowl with Sight level		DISPOSAL CLASS	TI
	bar	°C	bar	°C	bar	°C		
MF2	10	50	-	-	-	-	1 & 3	P050-05
IF2/D/A	10	50	17	80	17	70	1 & 2	P500-01
IC3/4/DA	10	50	17	80	17	70	1 & 2	P501-01
IXI	10	50	17	70	17	70	1 & 2	P057-01
SF3/A	-	-	17	80	17	70	1 & 3	P050-03

## REGULATORS

MR1/2/3	21 bar 70°C : CONTROL RANGES : 0.2/2. 0.3/4, 0.7/9 bar	1 & 3	P051-01
IRI	20 bar 70°C : CONTROL RANGES : 0.2/3.5, 0.5/1 bar	1 & 2	P058-01
SR2	21 bar 70°C : CONTROL RANGES : 1.3 - 17.0 bar	1 & 3	P570-01
SR3	21 bar 70°C : CONTROL RANGES : 0.2/4, 0.3/9 bar	1 & 3	P570-03

## FILTER REGULATORS

IP2/A/D	10	50	17	80	17	70	1 & 2	P510-01
	RANGES : 0.2/3.5, 0.5/10 bar							
MP2	10	50	-	-	-	-	1 & 3	P054-01
	RANGES : 0.2/2.0, 0.3/4.0, 0.7/9.0 bar							
MPC2	10	50	-	-	-	-	-	P054-04
	RANGES : 0.2/2.0,.0.3/4.0, 0.7/9.0 bar						1 & 3	

## LUBRICATORS

ML3	10	50	-	-	-	-	1 & 3	P052-07
IL1	10	50	17	80	17	70	1 & 2	P059-01
SL3	-	-	17	80	17	70	1 & 3	P052-04

## OTHER PRODUCTS

IFM2	10	50	-	-	-	-	1 & 2	P580-01
S.M.S.	-	-	17	70°C	-	-	1 & 3	P050-17
BALL	all to 15 bar & 45°C							
VALVES (all)	(see performance graph on TI for full details)						1 & 4	P560-01
DRI-LINE	-	-	16	80°C	-	-	1 & 3	P050-07

## DISPOSAL

1. Some plastic and/or rubber components
2. Main body Zinc - epoxy coated
3. Main body Aluminium - epoxy coated
4. Brass and Steel
5. Electronic Components

## Note

Customers are reminded that under UK and EC Health, Safety and Environmental Law, when returning products to Spirax Sarco they must provide information on any hazards and the precautions to be taken due to contamination residues or mechanical damage which may present a health, safety or environmental risk. This information must be provided in writing including Health and Safety data sheets relating to any substances identified as hazardous.