

PT1, PT2 and PT3 Plug Tails

Installation and Maintenance Instructions

1. General safety information

Your attention is drawn to Safety Information Leaflet IM-GCM-10, as well as to any National or Regional regulations (in the UK, to IEE Regulations BS 7671).

This product is designed and constructed to withstand the forces encountered during normal use. Use of the product other than as a plug tail could cause damage to the product and may cause injury or fatality to personnel.

2. General product description

The PT1, PT2 and PT3 plug tail connectors are designed for use with the SS1 standard Spiratec sensor as part of the Spiratec trap fault detection system. The PT2 is also used in boiler blowdown control systems with the CP10 sensor.

Available plug tail options:

PT1 A plug in connector for use with SS1 standard sensors. Supplied with Type 30 or Type 40 hand held indicators complete with 1.25 m of high temperature cable and male plug.

PT2 A threaded in-line connector for use with SS1 standard sensors for permanent installations with R1C or R16C automatic trap monitors (non waterlogging applications only) The PT2 is also used for connecting a CP10 sensor to a boiler blowdown control system. Protection rating IP67.

PT3 A right angle connector for use with SS1 standard sensors for permanent installations with R1C and R16C automatic trap monitors (non waterlogging applications only) Protection rating IP67.

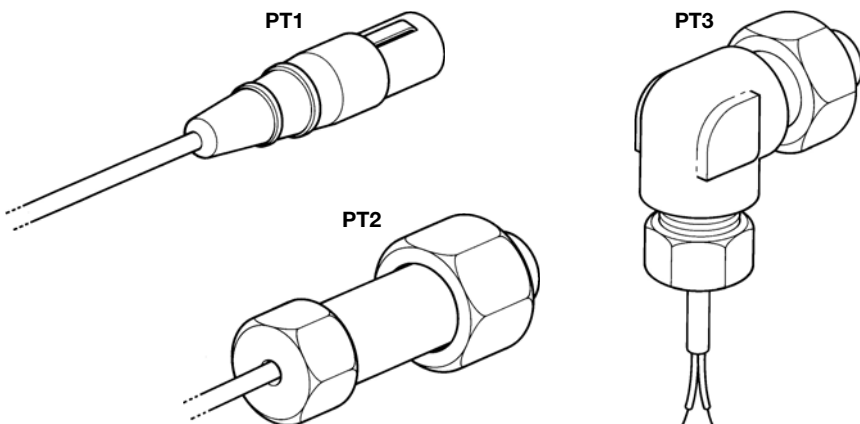


Fig. 1 Plug tails

3. Installation

The plug tail is supplied with 1.25 m of wire. Any additional wiring must be installed in accordance with the associated controller Installation and Maintenance Instructions.

If cable protection is required, a flexible metal conduit adaptor can be connected to the M16 conduit thread on the housing after removing the nut (1) on the PT2 and PT3.

Caution:-

Ensure the plug tail cable is not exposed to a temperature greater than 120°C (248°F).

3.1 Installation of PT2 for boiler blowdown application

The PT2 plug tail is also approved by Underwriters Laboratory as a Listed accessory for use with Spirax Sarco blowdown controllers and the CP10 sensor. The controllers supply the sensor and plug tail with a low voltage limited power source.

Electrical rating:

Maximum voltage	20 Vdc, 14 Vac
Maximum current	10 mA

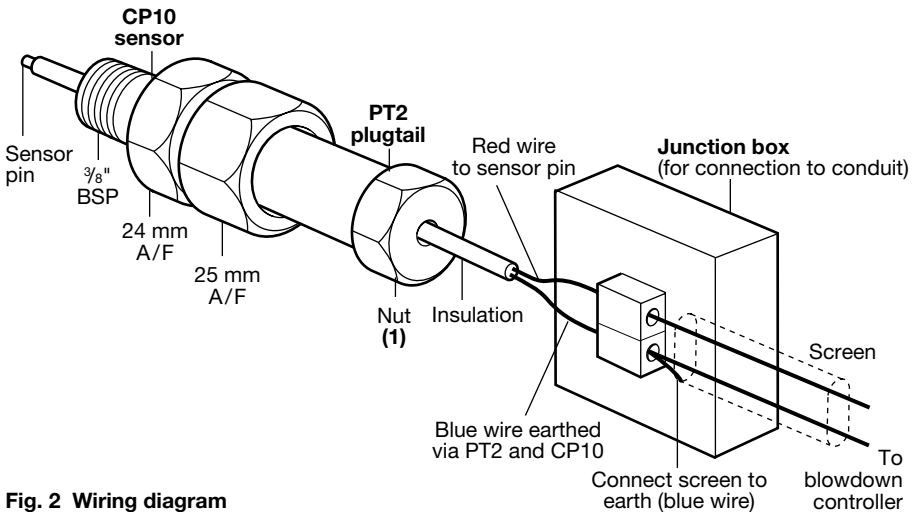


Fig. 2 Wiring diagram

4. Maintenance

Cleaning instructions - Use a dry cloth. Use of leaning materials could damage the product and invalidate the warranty.