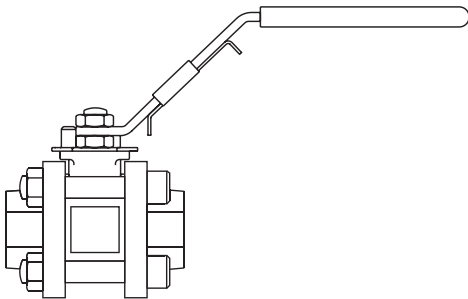

M10HPi ISO Ball Valve
Screwed, SW and BW versions
Installation and Maintenance Instructions




1. Safety information
2. General product information
3. Installation
4. Commissioning
5. Operation
6. Maintenance
7. Spare parts

1. Safety information

Safe operation of this product can only be guaranteed if it is properly installed, commissioned, used and maintained by qualified personnel (see Section 1.11) in compliance with the operating instructions. General installation and safety instructions for pipeline and plant construction, as well as the proper use of tools and safety equipment must also be complied with.

1.1 Intended use

Referring to the Installation and Maintenance Instructions, name-plate and Technical Information Sheet, check that the product is suitable for the intended use/application. The product listed below complies with the requirements of the Pressure Equipment Directive (PED) and carries

the  mark when so required. The product falls within the following Pressure Equipment Directive categories:

Product		Group 1	Group 2	Group 1	Group 2
		Gases	Gases	Liquids	Liquids
M10HPi ISO (Acetal seats)	DN8	SEP	SEP	SEP	SEP
	DN10	SEP	SEP	SEP	SEP
	DN15	SEP	SEP	SEP	SEP
	DN20	SEP	SEP	SEP	SEP
	DN25	SEP	SEP	SEP	SEP
	DN32	2	SEP	2	SEP
	DN40	2	1	2	SEP
	DN50	2	1	2	SEP

- i) The product has been specifically designed for use on compressed air, water and other industrial fluids that are in Group 2 of the above mentioned Pressure Equipment Directive.
- ii) Check material suitability, pressure and temperature and their maximum and minimum values. If the maximum operating limits of the product are lower than those of the system in which it is being fitted, or if malfunction of the product could result in a dangerous overpressure or overtemperature occurrence, ensure a safety device is included in the system to prevent such over-limit situations.
- iii) Determine the correct installation situation and direction of fluid flow.
- iv) Spirax Sarco products are not intended to withstand external stresses that may be induced by any system to which they are fitted. It is the responsibility of the installer to consider these stresses and take adequate precautions to minimise them.
- v) Remove protection covers from all connections and protective film from all name-plates, where appropriate, before installation on steam or other high temperature applications.

1.2 Access

Ensure safe access and if necessary a safe working platform (suitably guarded) before attempting to work on the product. Arrange suitable lifting gear if required.

1.3 Lighting

Ensure adequate lighting, particularly where detailed or intricate work is required.

1.4 Hazardous liquids or gases in the pipeline

Consider what is in the pipeline or what may have been in the pipeline at some previous time. Consider: flammable materials, substances hazardous to health, extremes of temperature.

1.5 Hazardous environment around the product

Consider: explosion risk areas, lack of oxygen (e.g. tanks, pits), dangerous gases, extremes of temperature, hot surfaces, fire hazard (e.g. during welding), excessive noise, moving machinery.

1.6 The system

Consider the effect on the complete system of the work proposed. Will any proposed action (e.g. closing isolation valves, electrical isolation) put any other part of the system or any personnel at risk? Dangers might include isolation of vents or protective devices or the rendering ineffective of controls or alarms. Ensure isolation valves are turned on and off in a gradual way to avoid system shocks.

1.7 Pressure systems

Ensure that any pressure is isolated and safely vented to atmospheric pressure. Consider double isolation (double block and bleed) and the locking or labelling of closed valves. Do not assume that the system has depressurised even when the pressure gauge indicates zero.

1.8 Temperature

Allow time for temperature to normalise after isolation to avoid danger of burns.

1.9 Tools and consumables

Before starting work ensure that you have suitable tools and/or consumables available. Use only genuine Spirax Sarco replacement parts.

1.10 Protective clothing

Consider whether you and/or others in the vicinity require any protective clothing to protect against the hazards of, for example, chemicals, high/low temperature, radiation, noise, falling objects, and dangers to eyes and face.

1.11 Permits to work

All work must be carried out or be supervised by a suitably competent person. Installation and operating personnel should be trained in the correct use of the product according to the Installation and Maintenance Instructions.

Where a formal 'permit to work' system is in force it must be complied with. Where there is no such system, it is recommended that a responsible person should know what work is going on and, where necessary, arrange to have an assistant whose primary responsibility is safety. Post 'warning notices' if necessary.

1.12 Handling

Manual handling of large and/or heavy products may present a risk of injury. Lifting, pushing, pulling, carrying or supporting a load by bodily force can cause injury particularly to the back. You are advised to assess the risks taking into account the task, the individual, the load and the working environment and use the appropriate handling method depending on the circumstances of the work being done.

1.13 Residual hazards

In normal use the external surface of the product may be very hot. If used at the maximum permitted operating conditions the surface temperature of this product may reach temperatures of 80 °C (176 °F).

This product is not self-draining. Take due care when dismantling or removing the product from an installation (refer to 'Maintenance instructions').

1.14 Freezing

Provision must be made to protect products which are not self-draining against frost damage in environments where they may be exposed to temperatures below freezing point.

1.15 Disposal

Unless otherwise stated in the Installation and Maintenance Instructions, this product is recyclable and no ecological hazard is anticipated with its disposal providing due care is taken, with the exception of PTFE.

PTFE stem seal:

- Can only be disposed of by approved methods, not incineration.
- Keep PTFE waste in a separate container, do not mix it with other rubbish, and consign it to a landfill site.

1.16 Returning products

Customers and stockists are reminded that under EC Health, Safety and Environment Law, when returning products to Spirax Sarco they must provide information on any hazards and the precautions to be taken due to contamination residues or mechanical damage which may present a health, safety or environmental risk. This information must be provided in writing including Health and Safety data sheets relating to any substances identified as hazardous or potentially hazardous.

2. General product information

2.1 General description

The M10HPi ISO three-piece body ball valve has a lockable handle and ISO mounting as standard. It features a special floating ball, which has received a surface hardening and a blow-out proof stem. This particular ball valve has been specially designed for manual isolation of applications using high-pressure gas. The M10HPi ISO has been designed for use as an isolating valve, not a control valve, and can be serviced without removal from the pipeline.

ISO mounting


The integral ISO body mounting allows the valve to be automated without losing seal integrity, as the body does not require disassembly. Manual to remote control may therefore be easily accomplished by the ISO range of Spirax Sarco ball valves.

Available types

M10HPi2 ISO	Zinc plated carbon steel body and caps.
M10HPi3 ISO	Stainless steel body and caps.

Note: The nomenclature will be followed with either **FB** (full bore) or **RB** (reduced bore).

Standards

This product fully complies with the requirements of the Pressure Equipment Directive (PED) and carries the  mark when so required.

Certification

This product is available with certification to EN 10204 3.1.

Note: All certification/inspection requirements must be stated at the time of order placement.

Note: For further information on this product see Technical Information sheet TI-P133-71.

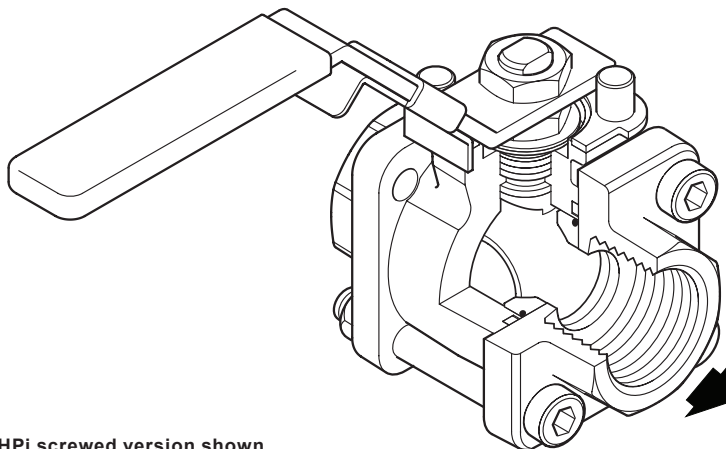


Fig. 1 M10HPi screwed version shown

2.2 Sizes and pipe connections

Full bore

1/4", 3/8", 1/2", 3/4", 1", 1 1/4" and 1 1/2"
Screwed BSP, BSPT, NPT, BW, SW

Flanged

DN15 to DN40 available on request

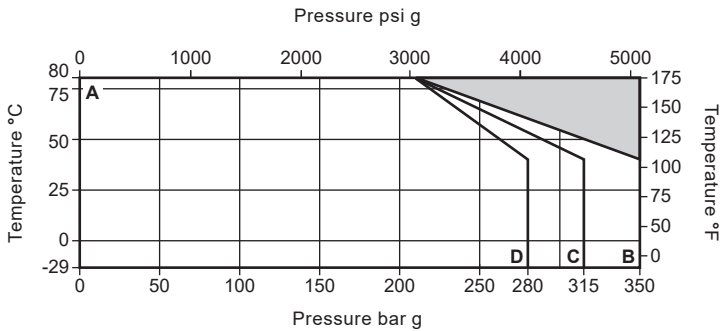
Reduced bore

1/4", 3/8", 1/2", 3/4", 1", 1 1/4", 1 1/2" and 2"
Screwed BSP, BSPT, NPT, BW, SW

Flanged

DN15 to DN50 available on request

2.3 Pressure/temperature limits



The product **must not** be used in this region.

- A - B 1/4", 3/8" and 1/2" RB
- A - C 1/2" FB; 3/4" and 1" RB
- A - D 1" FB; 1 1/4", 1 1/2" and 2" RB

PMA	Maximum allowable (operating) pressure (PMO)	1/4", 3/8" and 1/2" RB	350 bar g	(5 076 psi g)	
		1/2" FB	3/4" and 1" RB	315 bar g	(4 569 psi g)
		1" FB	1 1/4", 1 1/2" and 2" RB	280 bar g	(4 061 psi g)
TMA	Maximum allowable temperature		80 °C	(176 °F)	
	Minimum allowable temperature		-29 °C	(-20 °F)	
TMO	Maximum operating temperature		80 °C @ 210 bar g	(176 °F @ 3 046 psi g)	
	Minimum operating temperature		-29 °C	(-20 °F)	

Note: For lower operating temperatures consult Spirax Sarco.

ΔPMX Maximum differential pressure is limited to the PMO

Designed for a maximum cold hydraulic test pressure of:

1.5 x PMO

3. Installation

Note: Before actioning any installation observe the 'Safety information' in Section 1.

Although the valve has great structural integrity, severe misalignment and/or the pulling effect of incorrect pipe length will have a detrimental effect on the valve and must be avoided. Particular attention should be paid to correct pipe alignment such that the inlet pipework and valve are all on the same axis.

Valves are for on/off applications and may be operated manually. Wherever practicable, valves should be installed where there is adequate space available so that they can be conveniently operated and maintained.

Before installing a valve, check to ensure that size, pressure rating, materials of construction, end connections, etc. are suitable for the service conditions of the particular application. Care must be taken to ensure that all dirt which may have accumulated in the valve during storage is removed before installation, maintain cleanliness during installation since the introduction of dirt can result in damage to the valve seats and operating mechanism.

To minimise the danger of abrasive particles damaging the seats, pipeline strainers should be fitted upstream of the valves.

Install the valve with the handle in a suitable position. The preferred position is with the spindle vertical. The valve can be installed in any position for gas service (see Figure 2 opposite).

Valves should be installed into the pipeline in the fully closed position. **Prior to welding socket and butt weld valves into the pipeline, it will be necessary to:**

1. Dismantle the end caps from the body.
2. Remove the seats and body gasket.
3. Weld each end cap to the pipeline.
4. Replace the seats and body gasket.
5. Reassemble.

Always open valves slowly to avoid system shocks.

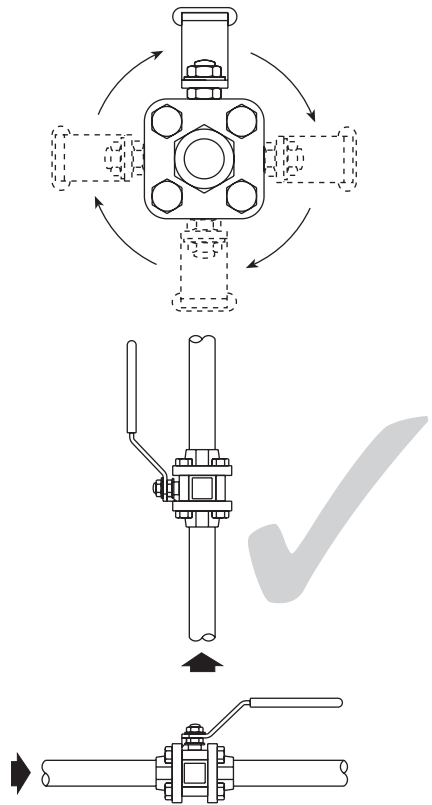


Fig. 2 Correct installation for gas service

4. Commissioning

After installation or maintenance ensure that the system is fully functioning. Carry out tests on any alarms or protective devices.

5. Operation

The valve is operated manually by a handle. Special care must be taken to ensure that the movement is made in the correct direction.

The valve can be used as an on/off valve, and can be operated fully open, or fully closed.

6. Maintenance

Note:

Before actioning any maintenance programme observe the 'Safety information' in Section 1.

6.1 General information

As with all mechanical devices, regular maintenance is the most efficient means of ensuring continued operational efficiency.

Regular scheduled inspection of all valves is essential especially on valves which are operated only occasionally.

6.2 General maintenance

Maintenance work can be carried out without removing the complete ball valve from the pipeline. Remove the four securing screws (**14** and **14a**). The complete body assembly can then be removed and any new parts fitted. Whenever the valve is dismantled, the cap 'O' rings (**17**) and seat 'O' rings (**15** - 2" RB and 1½" FB only) must be replaced before reassembly.

6.3 To replace seats and 'O' rings

- Remove the body as described in Section 6.2.
- With the body removed, remove the seats (**5**), seat 'O' rings (**15** - 2" RB and 1½" FB only) and cap 'O' rings (**17**).
- Fit new seats (**5**), seat 'O' rings (**15** - 2" RB and 1½" FB only) and cap 'O' rings (**17**) pushing them into the body and seat recesses.

6.4 To replace stem seals

- Remove the body as described in Section 6.2.
- Remove the nuts (**9** and **11**), and the two belleville washers (**8**).
- Replace the stem seals (**6** and **20**).

6.5 Reassembly

Reassemble in reverse order to instructions given above. The securing screws (**14** and **14a**) should be tightened to the recommended torques shown in Table 1 opposite.

After 24 hours in service, retighten the securing screws.

Table 1 Recommended tightening torques

Item no.	Part	Size	N m	(lbf ft)
14	Securing screws	¼", ⅜", ½" RB	40	30
		½" FB ¾" RB	40	30
		¾" FB 1" RB	57	42
		1" FB 1¼" RB	75	55
		1¼" FB 1½" RB	140	104
		1½" FB 2" RB	140	104
9 and 11	Stem nuts	¼", ⅜" RB	20	15
		½", ¾" RB	20	15
		¾" FB 1" RB	28	21
		1" FB 1¼" RB	30	22
		1¼" FB 1½" RB	35	26
		1½" FB 2" RB	35	26

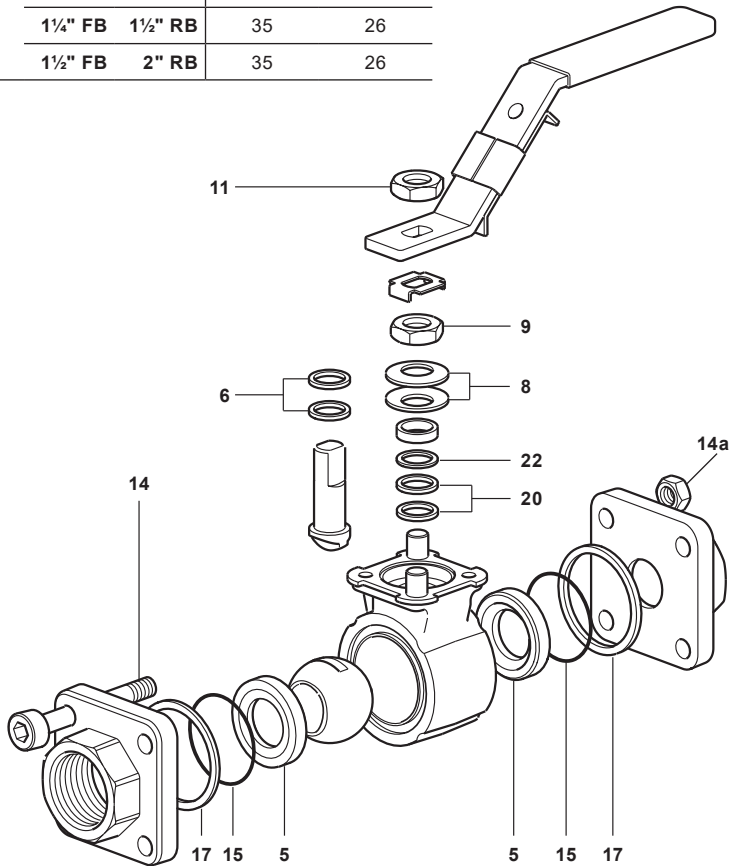


Fig. 3

7. Spare parts

The spare parts available are shown in solid outline. Parts drawn in a grey line are not supplied as spares.

Available spares

Seat, seals, body/cap 'O' ring and seat 'O' ring set

5, 6, 15, 17, 20, 22

How to order spares

Always order spares by using the description given in the column headed 'Available spares' and state the size and type of ball valve.

Example: 1 - Seat, seals, body/cap 'O' ring and seat 'O' ring set for a Spirax Sarco 1/2" M10HPI2FB ISO ball valve.

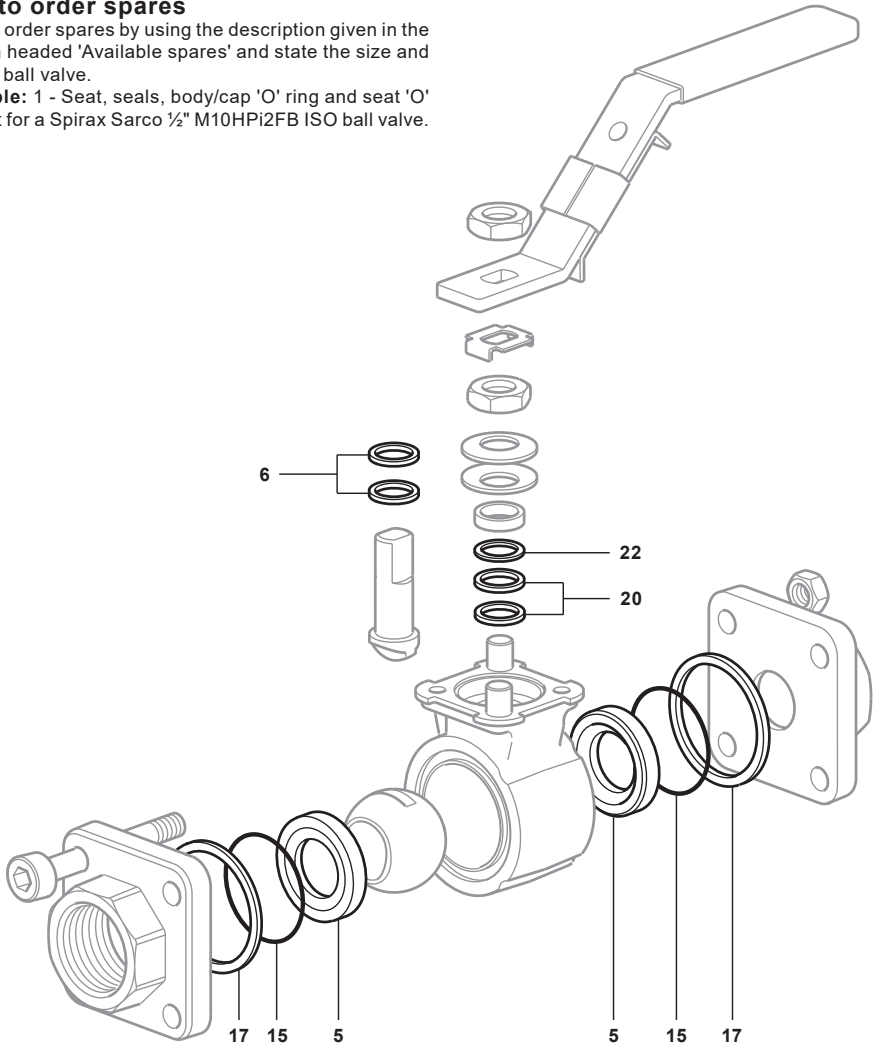


Fig. 4 M10HPI