
FT14, IFT14, FTGS14 and IFTGS14
Main Valve Assembly and Air Vent Assembly Maintenance Kit
Installation and Maintenance Instructions

1.1 General safety information

Safe operation of these products can only be guaranteed if they are properly installed, commissioned, used and maintained by qualified personnel (see the supplementary safety information supplied with the maintenance kit) in compliance with the operating instructions. General installation and safety instructions for pipeline and plant construction, as well as the proper use of tools and safety equipment must also be complied with.

Warning: The cover gasket contains a thin stainless steel support ring which may cause physical injury if not handled and disposed of carefully.

2.1 General information

Before undertaking any maintenance on the trap it must be isolated from both the supply line and return line and any pressure allowed to safely normalise to atmosphere. The trap should then be allowed to cool. When reassembling, ensure that all joint faces are clean.

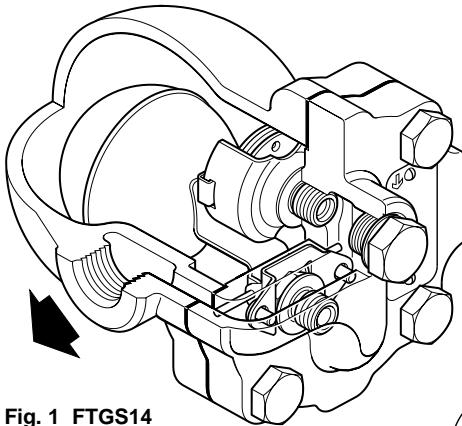


Fig. 1 FTGS14

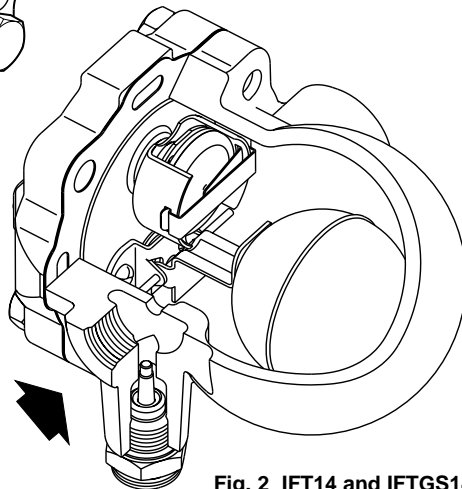


Fig. 2 IFT14 and IFTGS14

2.2 How to fit the main valve assembly:

- Undo the cover bolts (2) and lift off the body (1).
- Remove the complete float assembly (7, 8, 10 and 11) by undoing the two screws (7).
- Remove the main valve seat (5) and replace with a new one supplied with new gasket (6).
- Fit a complete new float assembly by tightening the assembly set screws (7) to the recommended torque (see Table 1).
- Refit the body (1) using a new cover gasket (3).

2.3 How to fit the air vent assembly:

- Remove the spring clip, element and spacer plate (9).
- Unscrew the seat.
- Fit a new gasket (6), seat and frame.
- Assemble the spacer plate, fit element and clips.
- Align the complete air vent (9) horizontally so that the frame clears the cover.
- Refit the body (1) using a new cover gasket (3).

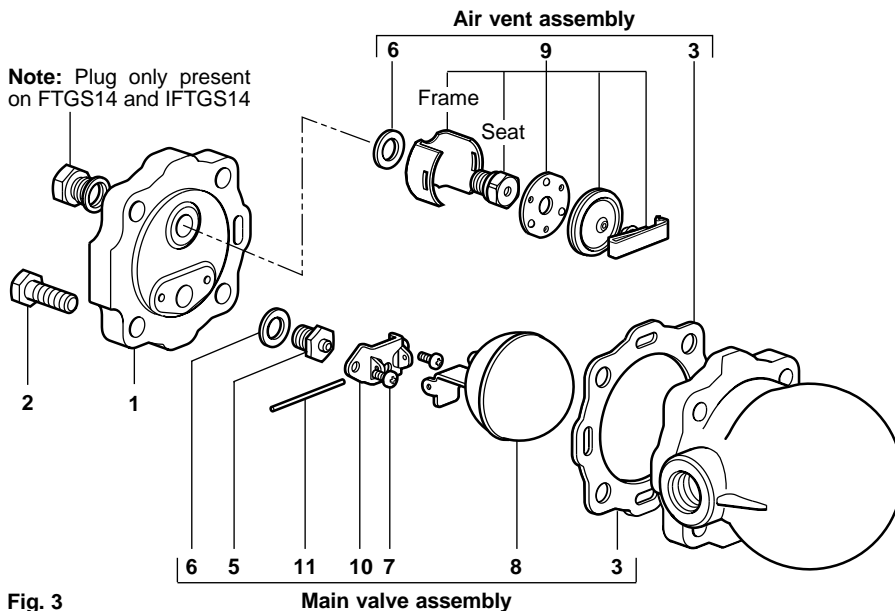




Fig. 3

Table 1 Recommended tightening torques

Item	Part	 or 	mm	N m	(lbf ft)
2	Cover bolts		M10 x 30	47 - 50	(35 - 37)
5	Main valve seat			50 - 55	(37 - 40)
7	Main valve assembly screws	Pozidrive	M4 x 6	2.5 - 3.0	(1.8 - 2.2)
9	Air vent assembly			50 - 55	(37 - 40)