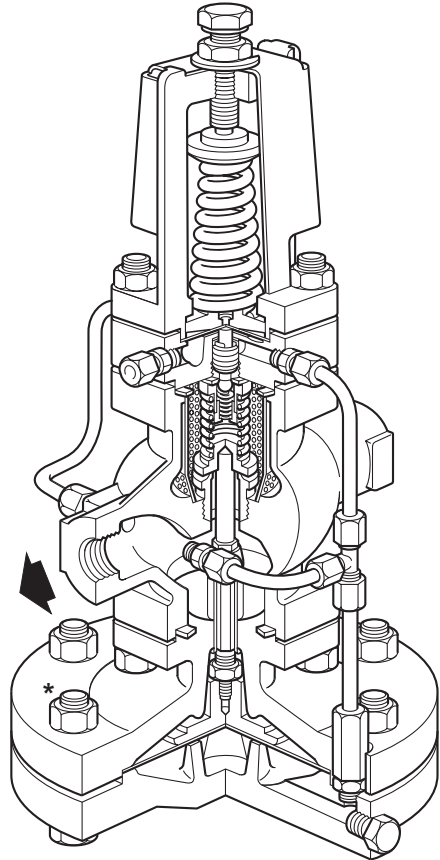


Bolts and Nuts Set for Diaphragm Chamber Securing on the DP Type Valve Installation and Maintenance Instructions

Diaphragm chamber bolts and nuts should be progressively and evenly tightened within the torque range of 80 - 100 N m (59 - 73 lbf ft).

Full Installation and Maintenance Instructions (IM) are available from Spirax Sarco for each product range as listed below.

Valve type	IM reference
DP17, DP17E, DP17R	IM-P100-05
DP17T, DP17TE	IM-P101-04
DP27	IM-P470-03
37D, 37DE	IM-P102-04
DP143, DP163	IM-P006-07
SDP143	IM-P004-05



* Diaphragm chamber bolt and nut

Typical DP type pressure reducing valve