

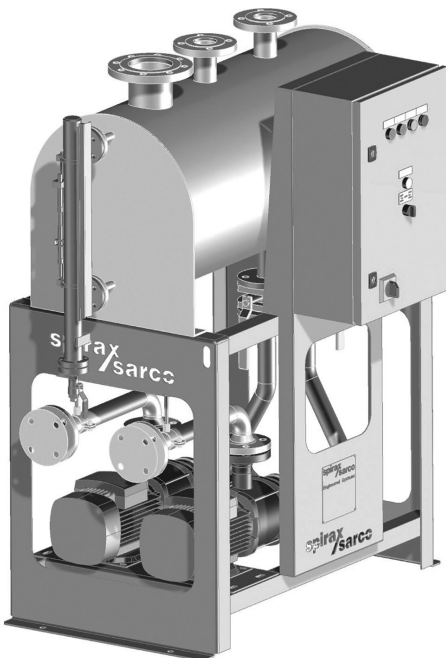


# CRU 200 and 500 Series Condensate Recovery Units (Fixed speed pumps)

Installation and Maintenance Instructions

---

---



1. Safety information
2. General product information
3. Installation
4. Commissioning
5. Storage, shutdown and equipment protection
6. Maintenance and repairs
7. Declaration of conformity

# 1. Safety information

Safe operation of this product can only be guaranteed if it is properly installed, commissioned, used and maintained by qualified personnel (see Section 1.11) in compliance with the operating instructions. General installation and safety instructions for pipeline and plant construction, as well as the proper use of tools and safety equipment must also be complied with.

## General safety precautions

Please observe all site safety regulations and recommendations at all times.

Maintenance personnel must be suitably qualified in working with equipment containing hazardous live voltages.

Ensure correct installation. Safety may be compromised if the installation of the product is not carried out as specified in this manual.

Wiring should be carried out in accordance with IEC 60364 or equivalent.

Do not leave this equipment unattended with the controls enclosure door open and with the mains supply power switched on.

The open vent and overflow connections must not be fitted with isolation valves and must not be capped or plugged.

Under normal operating conditions this equipment will have hot external surfaces and will contain hot fluid at a temperature approaching 100 °C (212 °F). Do not install in locations, or in such a manner, where unauthorised personnel or members of the public can come into contact with the equipment.

Do not work on the installation whilst it is operating under pressure and/or at high temperature. Always ensure the installation and its fluid contents have cooled to a safe temperature and the equipment has been isolated from all incoming or return fluid flow and pressure sources.

Pump(s) must not be operated without water inside the collection vessel and until the pump has been fully filled with condensate, or water and purged of entrapped air. Do not run a pump with a closed suction valve or with an open end discharge pipe, or against a closed discharge valve for more than a few seconds. Never run a pump without water inside the casing and without fully flooding the pump shaft seal.

The equipment should be drained down to a safe location only and only when the fluid has cooled to the maximum allowable temperature for the drainage or sewerage system.

## 1.1 Intended use

Referring to the Installation and Maintenance Instructions, name-plate and Technical Information Sheet, check that the product is suitable for the intended use/application. The CRU 200 and 500 Series fully complies with the directives and standards shown on the Spirax Sarco Declaration of Conformity (see Section 7).

This product is not a pressurised vessel and is designed to operate at atmospheric pressure and is therefore outside the scope of the European Pressure Equipment Directive 2014/68/EU.

- i) The product has been specifically designed for use on hot condensate. The products' use on other fluids may be possible but, if this is contemplated, Spirax Sarco should be contacted to confirm the suitability of the product for the application being considered.
- ii) Check material suitability, pressure and temperature and their maximum and minimum values. If the maximum operating limits of the product are lower than those of the system in which it is being fitted, or if malfunction of the product could result in a dangerous over-pressure or over-temperature occurrence, ensure a safety device is included in the system to prevent such over-limit situations.
- iii) Determine the correct installation situation and direction of fluid flow.
- iv) Spirax Sarco products are not intended to withstand external stresses that may be induced by any system to which they are fitted. It is the responsibility of the installer to consider these stresses and take adequate precautions to minimise them.
- v) Remove protection covers from all connections and protective film from all name-plates, where appropriate, before installation on steam or other high temperature applications.

## 1.2 Access

Ensure safe access and if necessary a safe working platform (suitably guarded) before attempting to work on the product. Arrange suitable lifting gear if required.

## 1.3 Lighting

Ensure adequate lighting, particularly where detailed or intricate work is required.

## 1.4 Hazardous liquids or gases in the pipeline

Consider what is in the pipeline or what may have been in the pipeline at some previous time. Consider: flammable materials, substances hazardous to health, extremes of temperature.

## 1.5 Hazardous environment around the product

Consider: explosion risk areas, lack of oxygen (e.g. tanks, pits), dangerous gases, extremes of temperature, hot surfaces, fire hazard (e.g. during welding), excessive noise, moving machinery.

## 1.6 The system

Consider the effect on the complete system of the work proposed. Will any proposed action (e.g. closing isolation valves, electrical isolation) put any other part of the system or any personnel at risk?

Dangers might include isolation of vents or protective devices or the rendering ineffective of controls or alarms. Ensure isolation valves are turned on and off in a gradual way to avoid system shocks.

## 1.7 Pressure systems

Ensure that any pressure is isolated and safely vented to atmospheric pressure.

Consider double isolation (double block and bleed) and the locking or labelling of closed valves. Do not assume that the system has depressurised even when the pressure gauge indicates zero.

## 1.8 Temperature

Allow time for temperature to normalise after isolation to avoid danger of burns.

## 1.9 Tools and consumables

Before starting work ensure that you have suitable tools and/or consumables available. Use only genuine Spirax Sarco replacement parts.

## 1.10 Protective clothing

Consider whether you and/or others in the vicinity require any protective clothing to protect against the hazards of, for example, chemicals, high/low temperature, radiation, noise, falling objects, and dangers to eyes and face.

## 1.11 Permits to work

All work must be carried out or be supervised by a suitably competent person.

Installation and operating personnel should be trained in the correct use of the product according to the Installation and Maintenance Instructions.

Where a formal 'permit to work' system is in force it must be complied with. Where there is no such system, it is recommended that a responsible person should know what work is going on and, where necessary, arrange to have an assistant whose primary responsibility is safety.

Post 'warning notices' if necessary.

## 1.12 Handling

Manual handling of large and/or heavy products may present a risk of injury. Lifting, pushing, pulling, carrying or supporting a load by bodily force can cause injury particularly to the back. You are advised to assess the risks taking into account the task, the individual, the load and the working environment and use the appropriate handling method depending on the circumstances of the work being done.

## 1.13 Residual hazards

In normal use the external surface of the product may be very hot. If used at the maximum permitted operating conditions the surface temperature of these products may reach temperatures of 100 °C (212 °F).

This product is not self-draining. Take due care when dismantling or removing the product from an installation.

## 1.14 Freezing

Provision must be made to protect products which are not self-draining against frost damage in environments where they may be exposed to temperatures below freezing point.

## 1.15 Disposal

Unless otherwise stated in the Installation and Maintenance Instructions, this product is recyclable and no ecological hazard is anticipated with its disposal providing due care is taken.

Please visit the Spirax Sarco product compliance web pages

<https://www.spiraxsarco.com/product-compliance>

for up to date information on any substances of concern that may be contained within this product. Where no additional information is provided on the Spirax Sarco product compliance web page, this product may be safely recycled and/or disposed providing due care is taken. Always check your local recycling and disposal regulations.

## 1.16 Returning products

Customers and stockists are reminded that under EC Health, Safety and Environment Law, when returning products to Spirax Sarco they must provide information on any hazards and the precautions to be taken due to contamination residues or mechanical damage which may present a health, safety or environmental risk. This information must be provided in writing including Health and Safety data sheets relating to any substances identified as hazardous or potentially hazardous.

## 2. General product information

### 2.1 Description

The Spirax Sarco CRU 200 and 500 series condensate recovery units with fixed speed pumps are designed to handle hot flashing condensate entering the receiver (up to 98 °C) which is commonly returned for use as boiler feedwater.

The standard range can handle quantities up to 20 m<sup>3</sup>/hr, duty/assist with varying pump delivery heads. For higher duties please contact Spirax Sarco.

The package comprises - receiver, frame, pumps, valves, level controls and pre-wired control panel.

#### Note:

1. System head regulation valves are not supplied as part on the unit, but it is recommended they are incorporated into the discharge pipe work.
2. This unit is not suitable for outdoor use, please consult Spirax Sarco for a bespoke solution.
3. This unit is not designed to accept nozzle loads from connecting pipework.

### Equipment function

Spirax Sarco CRU 200 and 500 series condensate recovery units are supplied with two pump sets arranged to provide duty/assist control. The units are designed for fully automatic operation. Standard control features incorporate; condensate level pump control, controls enclosure, incoming electrical supply door-interlocked isolator switch, 'Power On' indicator lamp, 'Pump Running' and 'Pump Tripped' indicator lamps and a pump selector switch with automatic changeover facility. Volt-free alarm terminals are provided for 'Pump Tripped' and for 'High Condensate' alarm.

Condensate level pump control is by means of Spirax Sarco Colima Viscorol level indicators and SPDT level controls which provide on/off duty/assist operation.

The units are controlled by high and low condensate level pump control switches but additionally have the special duty/assist level control feature to provide for automatic operation of both the 'duty pump' plus the 'assist pump' if that operational requirement arises. If a condition occurs which enables operation of the assist pump, the corresponding 'Pump Running' lamp will indicate that status, clearing automatically when the condensate level falls and the pumps stops at 'Low' condensate level.

The units also incorporate duty cycle automatic changeover, the 'duty' and 'stand-by' pump operation alternating at the end of each condensate collection vessel emptying cycle. Additionally, a 3-position pump selector switch is incorporated to allow for selection of automatic pump changeover or single pump operation of either pump, 'Automatic' being the usual mode selected for normal operating conditions.

An independent 'High Condensate' alarm facility (optional) is enabled at a condensate level above that for the standard high condensate, {pump(s) on} switching levels, the alarm condition and signal being cleared automatically when the condensate level falls to the normal operating high level. The alarm facility is provided with both visual (indicator lamp) and volt-free terminals.

### Receiver

Receivers are manufactured from 304 stainless steel. They are fitted with an adequately sized vent, overflow and inlet connections flanged to PN16. Vessels are leak tested. A water level gauge is fitted as standard, with integrated level control and high alarm.

### Frame

The frames are manufactured from carbon steel powder coated (black) or 304 stainless steel.

## Pumps

Pump housing and impellers are constructed from stainless steel and are designed for low NPSH conditions to handle hot condensate with the minimum of flooded suction. They are directly coupled to TEFC motors having class F insulation (class B temperature rise) motor enclosure class IP55.

### Pump fitting (fixed speed)

The motors and pumps are mounted under the receiver and are each connected to suction pipework incorporating isolation valves. Each pump discharge is fitted with a non-return valve suitable to connect to a PN16 flange.

## Control

Receivers are fitted with Spirax Sarco Colima Viscorol level indicators and SPDT switches which provide duty/assist control. Included is a control feature that alternates which pump starts first. This ensures both pumps will operate for the same duration over the life of unit.

The control panel incorporates electrical equipment suitable for 400 volt, 3 phase, 50 Hz, 4 wire supply. Control equipment is installed in a pre-wired IP65 rated metal enclosure. Connections for BMS interface are provided to monitor pump run or tripped condition.

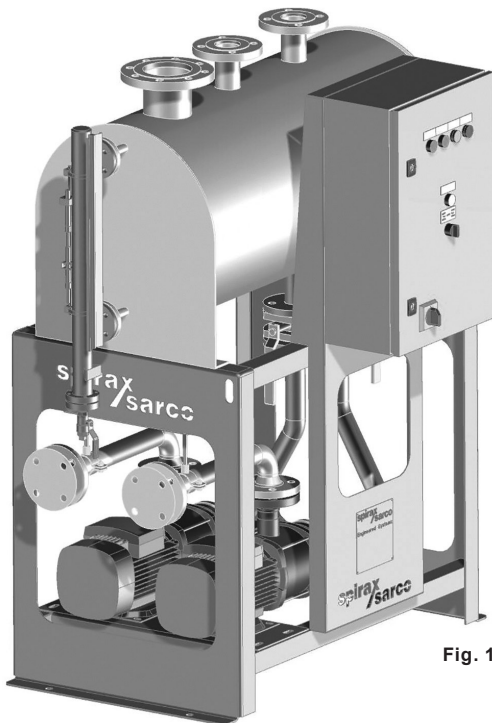


Fig. 1

## Standards

This product fully complies with the following directives

- European Machinery Directive 2006/42/EC,
- European Low Voltage Directive 2006/95/EC
- European Electromagnetic Compatibility Devices Directive 2004/108/EC.

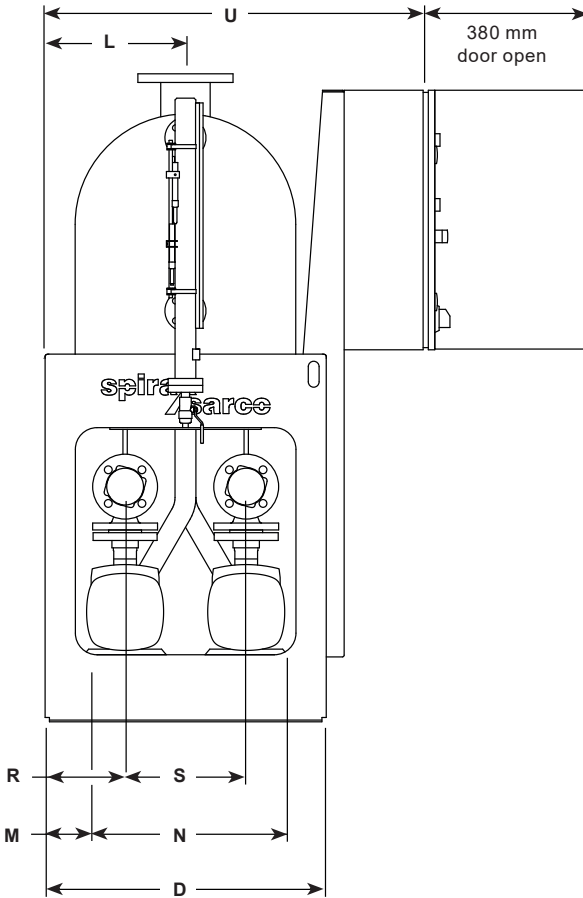
The receiver is not a pressurised vessel and is designed to operate at atmospheric pressure and therefore falls outside the scope of European Pressure Directive 2014/68/EU.

## Certification

A declaration of conformity EN 10204 2.1 is available on request.

**Note:** For further product data see Technical Information Sheet T1-P681-06.

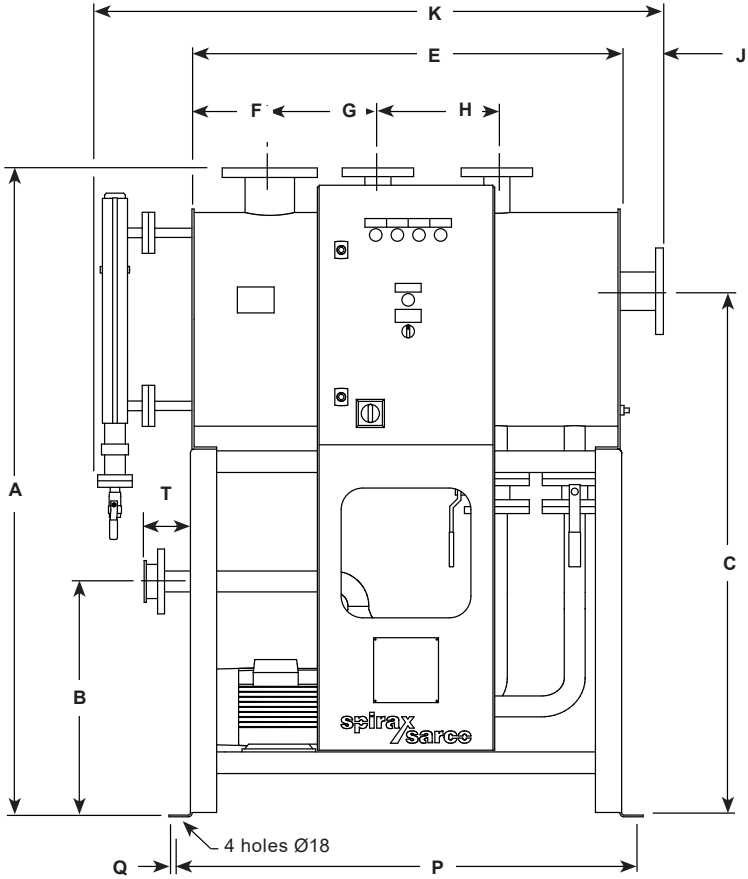
# CRU 200 Dimensions (approximate) in mm



CRU 200	
CRU200-2D-CM33-CS	CRU200-2D-CM33-SS
CRU200-2D-CM34-CS	CRU200-2D-CM34-SS
CRU200-4D-CM101-CS	CRU200-4D-CM101-SS
CRU200-4D-CM102-CS	CRU200-4D-CM102-SS
CRU200-4D-CM103-CS	CRU200-4D-CM103-SS

CRU 200 and 500 Series Condensate Recovery Units (Fixed speed pumps)

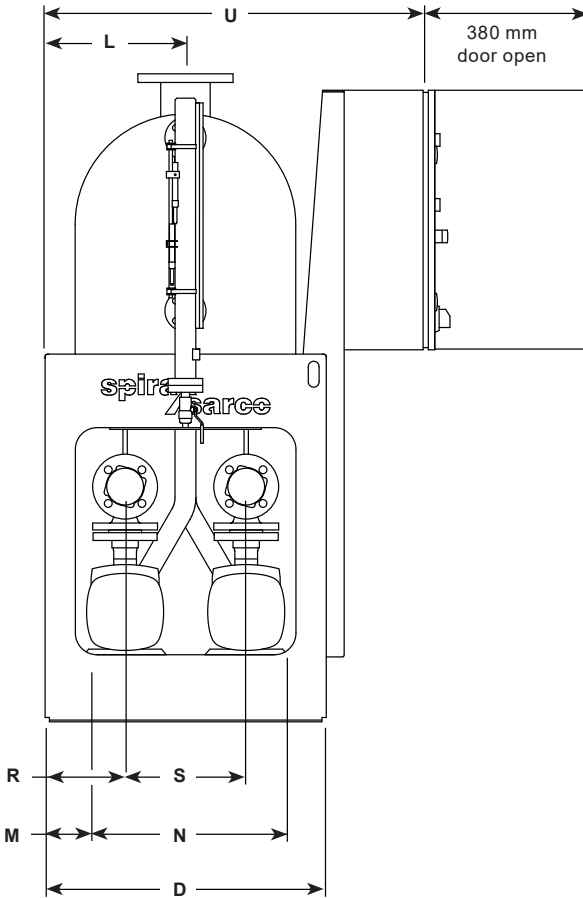




	A	B	C	D	E	F	G	H	J	K	L	M	N	P	Q	R	S	T	U
	1500	478	1280	650	990	205	250	275	100	1300	325	125	400	1056	20	210	230	82 100	950
	1500	544	1215	650	990	180	250	275	100	1300	325	125	400	1056	20	185	280	100	950

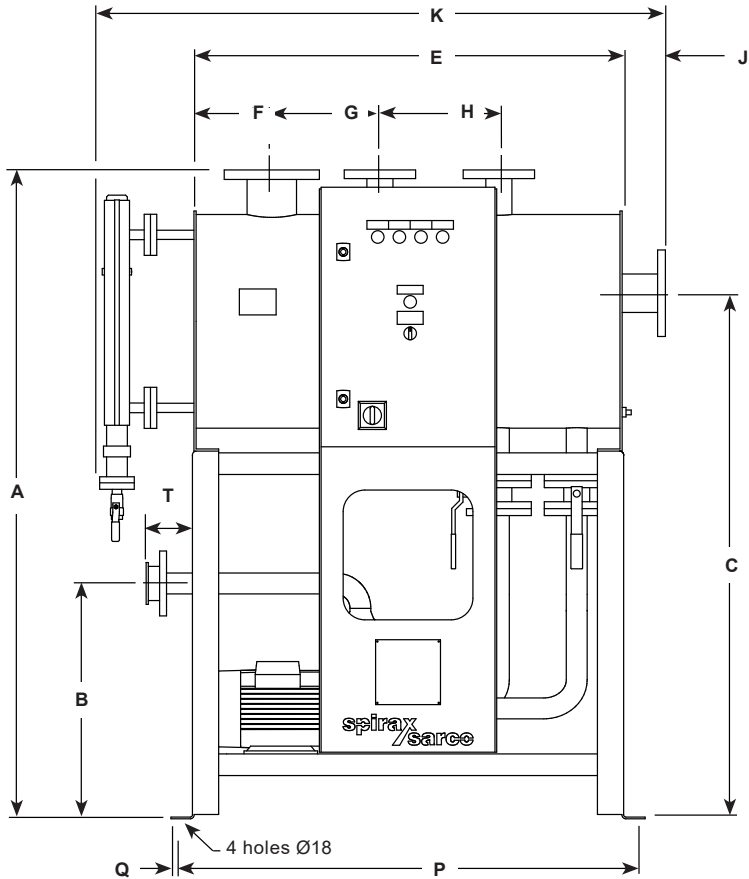
CRU 200 and 500 Series Condensate Recovery Units (Fixed speed pumps)

# CRU 500 Dimensions (approximate) in mm



CRU 500	
CRU500-4D-CM101-SS	CRU500-4D-CM101-SS
CRU500-4D-CM102-SS	CRU500-4D-CM102-SS
CRU500-4D-CM103-SS	CRU500-4D-CM103-SS
CRU500-5D-CM151-SS	CRU500-5D-CM151-SS
CRU500-5D-CM152-SS	CRU500-5D-CM152-SS

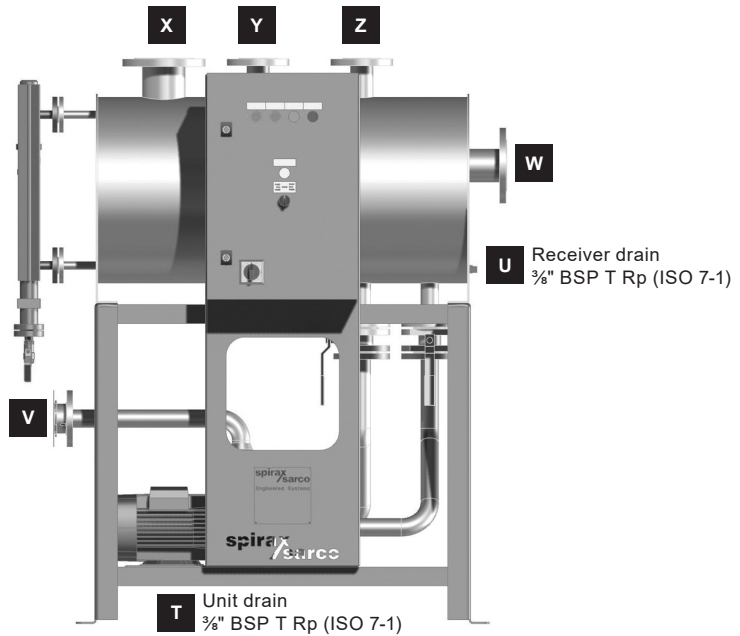
CRU 200 and 500 Series Condensate Recovery Units (Fixed speed pumps)



	A	B	C	D	E	F	G	H	J	K	L	M	N	P	Q	R	S	T	U
	1800	544	1485	910	1250	205	350	300	100	1560	455	105	698	1317	20	315	280	97	1200
	1800	563	1485	910	1250	205	350	300	100	1560	455	105	698	1317	20	245	420	105	1200

CRU 200 and 500 Series Condensate Recovery Units (Fixed speed pumps)

**Inlet and outlet connection and weights** (approximate in kg)



**CRU 200**

CRU200-2D-CM33-CS	CRU200-2D-CM33-SS
CRU200-2D-CM34-CS	CRU200-2D-CM34-SS
CRU200-4D-CM101-CS	CRU200-4D-CM101-SS
CRU200-4D-CM102-CS	CRU200-4D-CM102-SS
CRU200-4D-CM103-CS	CRU200-4D-CM103-SS

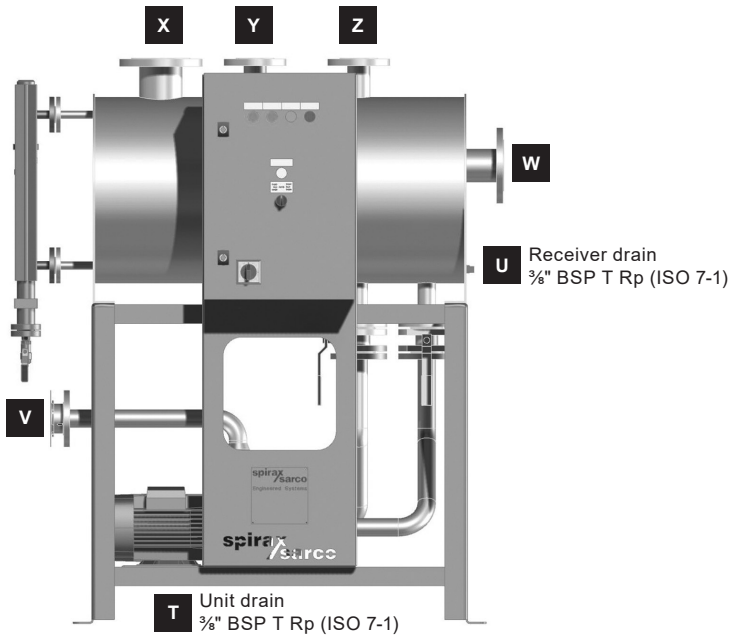
CRU 200 and 500 Series Condensate Recovery Units (Fixed speed pumps)

	Connections	V	W	X	Y	Z	Weight
		Outlet	Overflow	Vent	Inlet	Inlet	
	PN16	DN25	DN50	DN80	DN40	DN40	215
	PN16	DN40	DN80	DN100	DN50	DN50	245
	PN16	DN40	DN80	DN100	DN50	DN50	250
	PN16	DN40	DN80	DN100	DN50	DN50	275

---

**CRU 200 and 500 Series Condensate Recovery Units (Fixed speed pumps)**

**Inlet and outlet connection and weights** (approximate in kg)



**CRU 500**

CRU500-4D-CM101-CS	CRU500-4D-CM101-SS
CRU500-4D-CM102-CS	CRU500-4D-CM102-SS
CRU500-4D-CM103-CS	CRU500-4D-CM103-SS
CRU500-5D-CM151-CS	CRU500-5D-CM151-SS
CRU500-5D-CM152-CS	CRU500-5D-CM152-SS

CRU 200 and 500 Series Condensate Recovery Units (Fixed speed pumps)

	Connections	V	W	X	Y	Z	Weight
		Outlet	Overflow	Vent	Inlet	Inlet	
	PN16	DN40	DN80	DN100	DN80	DN80	360
	PN16	DN40	DN80	DN100	DN80	DN80	365
	PN16	DN40	DN80	DN100	DN80	DN80	370
	PN16	DN50	DN80	DN100	DN80	DN80	355
	PN16	DN50	DN80	DN100	DN80	DN80	380

---

**CRU 200 and 500 Series Condensate Recovery Units (Fixed speed pumps)**

# 3. Installation

**Note:** Before actioning any installation observe the 'Safety Information' in Section 1.

## 3.1 General installation

The CRU 200 and 500 series condensate recovery unit is designed for open vented operation only and must be installed with an unrestricted open vent. The vent should be as short as possible and taken to a safe, high level location and a vent head may be installed providing no backpressure is induced at the condensate collection vessel.

The overflow connection should be provided with a Spirax Sarco 'U' water seal at the same size as the vessel connection and should always be piped away, unrestricted, to a safe drain point or gully. If the drain point connects to a public sewer system the maximum permissible discharge temperature into the public sewer system should be considered.

Overflow and vent connections must never be fitted with isolation valves or be capped off. Before installing and making the final piping connections to and away from the condensate recovery and pump set, service piping must be fully purged to ensure foreign matter and installation debris has been removed.

If a potential exists for debris carry over into a condensate vessel, strainers can be considered for installation into the vessel inlet piping. It is essential that a correctly sized strainer is selected which offers minimal pressure loss; It is important that the strainer screens are cleaned regularly, ideally within the scope of a planned maintenance programme.

Do not connect a power supply to a CRU 200 and 500 unit before first checking the voltage, frequency and electrical supply cable size making sure that the site electrical supply corresponds with the requirements stated for the control panel.

Check the stated control circuits voltage corresponds with that required on site. Connection of this equipment to a site electrical installation should only be carried out by qualified and competent personnel and must comply with current electrical regulations and standards, after commissioning into service the controls enclosure must be closed and the door isolator switch security locked.

## 3.2 Thermal insulation and cladding

Spirax Sarco condensate recovery and pumping sets can be thermally insulated and clad to minimise heat losses and for protection against personal injury, due to contact with hot surfaces, providing the condensate temperature does not exceed the net positive suction head required (NPSHr) to prevent cavitation and pump damage (this will be evident during pumping by noise in the pump impeller casing).



### 3.3 CRU 200 and 500 series wiring

See inside of control panel door for specific wiring diagram.

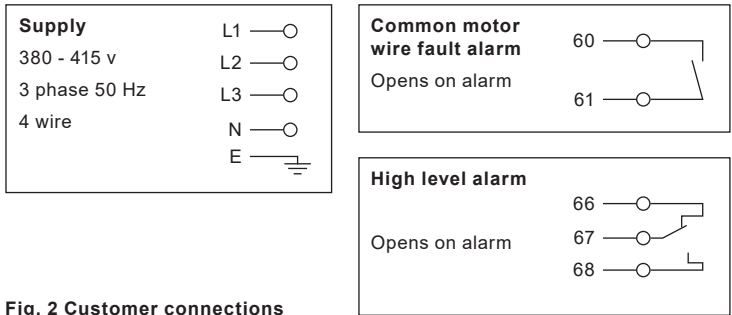


Fig. 2 Customer connections

### 3.4 Pump motor rating and overload settings.

Pump	Pump Kw 50Hz	Overload	Overload setting	Control panel material	
				Carbon steel	Stainless steel
CM3-3 and CM3-4	0.46	1.0 - 1.6A	1.1A	173	177
CM10-1	0.6	1.4 - 2.0A	1.9A	174	178
CM10-2	1.2	2.5 - 4.0A	2.9A	175	179
CM10-3	2.2	4.0 - 6.0A	4.6A	176	180
CM15-1	1.2	2.5 - 4.0A	2.9A	175	179
CM15-2	2.2	4.0 - 6.0A	4.6A	176	180

### 3.5 Lifting

The CRU 200 and 500 units should be lifted by a suitable forklift truck from underneath the frame, placed in position and securely bolted to the floor.

#### Warning:

On no account is the CRU to be lifted by any other part other than the frame (see Figure 3).

**Note:** Sufficient space should be provided around the unit location to allow access for maintenance.

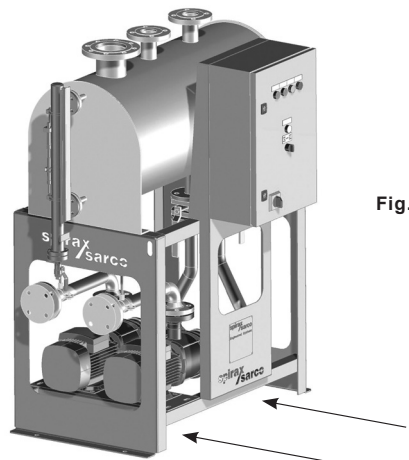


Fig. 3

CRU 200 and 500 Series Condensate Recovery Units (Fixed speed pumps)

## 4. Commissioning

### 4.1 Updating the float

Remove the bottom flange from the level gauge and take the float from the plastic bag. Refit the float to the level gauge and assemble the flange, ensuring the 'O' ring is not damaged before fitting.

### 4.2 Start-up

After completion of all checks in Section 3 and connecting all piping and electrical services, fully open all isolating valves and allow the vessel to fill with condensate. If condensate cannot be made available and a unit has to be immediately commissioned, or functionally tested, the vessel can be pre-charged with clean, cold water. After testing however, if a unit is not to be left operating in normal service, the mains electrical supply to the controls enclosure should be switched off and the door interlocked isolator switch security locked to prevent inappropriate operation of the equipment.

Before turning on the electrical supply, check each pump has been fully flooded with condensate by opening the air vent on the pump casing. Refer to the pump manufacturer's hand-book for the correct procedure.

To ensure the correct duty point (head imposed against pumping rate) is achieved for optimum operation it may be necessary to adjust the system head imposed by regulating a valve in the delivery pipework. Correct setting would reduce the possibility of cavitation and noise.

To start the automated pumping process, turn on the electrical supply and press the "power on reset" button. This button will then illuminate to indicate the supply is on.

If the power supply fails during operation or is switched off by the operator, and then later the power supply is restored, the CRU will remain off in a safe mode. This is a safety feature to prevent the unit from automatically restarting. This will allow the operator to ensure the unit is safe before power is restored. To restart the CRU ensure the isolator switch is turned on and press the "power on reset" button.

### 4.3 Duty/assist pump operation

To check the switching of the 'assist' pump and 'High Condensate' alarm function, the 3-position selector switch will need to be in the 'Automatic' position. Disable the 'duty' pump, by for example, tripping the overload. The 'duty' pump will fail to operate and the condensate level will rise to the second level switch and should then operate the 'stand-by' pump. The volt-free terminals will also be enabled to remote signal the condition if so connected. Both pumps would normally run then together (if the 'duty' pump has not been tripped out) until the condensate falls to 'Low' level. At 'Low' level both pumps will stop.

To carry out the above duty/assist checking procedure for both pumps, the condensate level must be allowed to fall to the, 'pumps off' 'Low' level to enable the latching of the automatic pump changeover relay.

To return the set to fully automatic operation with pump automatic changeover, reset trip overloads and select 'Automatic' with the 3-position selector switch.

## 5. Storage, shutdown and equipment protection

As delivered, there may be residual water remaining in the pump piping and pump casing from the factory testing procedures. If the equipment is to be held in storage before installation ensure it is protected from sub-zero temperature conditions to prevent mechanical damage from freezing.

### Shutting down the equipment

1. Turn off the electrical supply and security lock the door interlocked isolator switch.
2. Close the pump suction and outlet valves.
3. If the CRU 200 and 500 series is being taken out of service, protect the pumps from frost damage due to the residual condensate that is left inside the pumps.
4. Drain down the condensate collection vessel and piping to a safe drain point, using the drain nozzle provided.
5. Drain down pump casing as necessary, to a safe drain point, referring to the pump manual.

## 6. Maintenance

**Note: Before actioning any maintenance programme observe the 'Safety information' in Section 1.**

Before carrying out maintenance and repairs, disconnect the electrical supply allow the fluid contents to cool to a safe temperature (below 25 °C or 77 °F), and isolate from incoming and outgoing condensate flow and pressure.

If removing a pump for repair or maintenance and the set is to remain operational, the power must always be switched off at the mains supply and the cable terminations made safe before returning a set into service for single pump operation.

If a pump requires repair or servicing, refer to the pump manufacturer's manual. Contact Spirax-Sarco Ltd to order spare parts.

Periodical inspections of the level indicator and switch assembly are necessary to guarantee optimum efficiency of the unit. It is recommended that a check of the liquid fluidity is actioned to avoid any suspensions or deposits that can influence wetted parts. Also check the serviceability of the rollers/indicator. Please refer to IM-P329-02 for more information regarding the level indicator assembly.

## Pumps

### Mechanical seals

Mechanical seal failure is usually indicated by fluid leakage from that area of the pump assembly. The usual cause is dry running the pump, lubrication of the seal being dependent upon the fluid being pumped. Multi-stage pumps have the shaft seal at the top of the casing and are especially vulnerable if the mechanical seal has not been fully flooded because improper pump casing venting.

### Fluid cavitation

Cavitation occurs because of, (a) insufficient pump suction pressure for the liquid (condensate) temperature at the pump suction port, or, (b) because the condensate flowrate and discharge pressure does not correspond with the selected duty point on the pump performance curve, or a combination of (a) and (b). Simplistically, because there is insufficient suction pressure at the condensate temperature, the pressure in the pump casing can reduce sufficiently for the condensate to partly 'flash' into a vapour and condensate mixture, the total liquid state of the condensate not being sustainable at the reduced pressure and elevated temperature. The result is commonly known as cavitation, which if not corrected will damage the pump internals.

Cavitation invariably results in excessive operating noise inside the pump, will ultimately lead to a serious mechanical failure of the pump and/or impeller(s) and should always be eliminated.

If cavitation occurs, the following should be reviewed.

- i. The duty conditions specified for the pump selection and if the correct condensate pumping unit had been selected for the actual duty conditions.
- ii. Whether the actual condensate temperature at the pump suction port is higher than that specified for the pump selected.
- iii. Is the pump discharge pressure requirement less than that specified for the pump selected?
- iv. If the condensate temperature is significantly higher than that specified, check the condensate returns systems for high pressure/temperature condensate discharge from any item of plant and, especially, for faulty steam traps.
- v. If regulating valve sets have been included in the condensate set package, check they have they been adjusted as recommended above.
- vi. Consider installing pump discharge flow/pressure regulating valve sets to control the condensate flow and discharge pressure at the selected pump duty point.

### Pump fails to run or motor fault

- i. Check that the main power supply and door interlocked isolator are switched on.
- ii. Check condensate is at a sufficient level.
- iii. Check that the full load current stated on the motor plate and overload setting are correct - adjust if necessary.
- iv. Check control circuit MCB or transformer fuses if the control circuit is low voltage - reset or replace. If repeated tripping or fuse failure occurs, the control system must be fully checked by a competent electrical engineer.
- v. Check each level control function - the pump will only run if both the high and the low level switches function correctly.
- vi. Check for electrical wiring fault or short circuit condition.
- vii. Check motor windings for integrity and, for phase motors loss.

# 7. Declaration of conformity

spiraxsarco.com



## EU DECLARATION OF CONFORMITY

Product **Condensate Recovery Unit (CRU)**  
**6811055, 6811255, 6811555, 6811755**

Name and address of the manufacturer **Spirax Sarco Ltd**  
Runnings Road  
Cheltenham  
**GL51 9NQ**  
United Kingdom

This declaration of conformity is issued under the sole responsibility of the manufacturer.

The object of the declaration described above is in conformity with the relevant Union harmonisation legislation:

Machinery Directive **2006/42/EU**

References to the relevant harmonised standards used or references to the other technical specifications in relation to which conformity is declared

Design Codes **EN287:2011**  
**EN 61000-6-1:2007**  
**EN 61000-6-2:2005**  
**EN 61000-6-4:2007+A1:2011**  
**EN 60204-1:2006+A1:2009**  
**BS 7671:2008+A3:2015**

### Additional Information

List of EMC and LVD Equipment Constituting the Assembly and considered under the Essential Safety Requirements of the Machinery Directive. Pressure Equipment Directive 2016/68/EU category SEP

Description	EMC Compliant	LVD Compliant
Process Control Panel (PXXX)	Yes	Yes
Grundfos Pump Range	Yes	Yes

Signed for and on behalf of: Spirax Sarco Limited;

Signature

Name **Mark Sadler**  
Function **Product and Compliance Manager**  
Location **Cheltenham, United Kingdom**  
Date of Issue **14 October 2016**





