

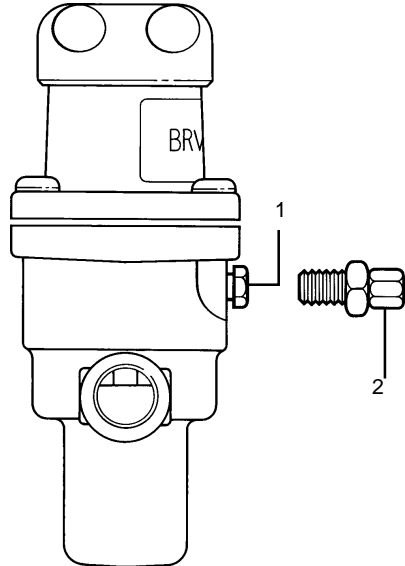
BRV2 SP and BRV2 BP Products supplied with external pressure sensing connection for units screwed $\frac{1}{2}$ ", $\frac{3}{4}$ " & 1" BSP (BS21 Rp) or flanged BS 4504 PN25.

Supplementary Installation and Maintenance Instructions

To fit this alternative downstream pressure sensing pipe, first remove the hexagon headed blanking plug (1) on the side of the BRV2 body. Fit the $\frac{1}{8}$ " BSP compression fitting, (2). The downstream pressure sensing pipe should be connected into the top of the downstream pressure main at (3), such that there is a straight run of pipe between the Reducing Valve and point (3) of at least 1m. This pipework should be uninterrupted by fittings. The control pipework should be arranged to give a slope towards point (3). The compression fitting (2) is designed to accept 6mm O/D tube.

Alternatively $\frac{1}{8}$ " nominal bore steel pipe can be screwed into the main body sensing connection. A stop valve should be added to the control sensing pipe for isolation purposes.

For the full Installation and Maintenance Instruction, see IM-P045-10 (IMI 0457350/2).



Start up and adjustment

Close valve C2 and C3 (if fitted). Open valve C4. Open valve C1. Slowly increase downstream pressure by turning BRV2 adjustment knob clockwise until desired pressure (shown on the pressure gauge) is achieved. Slowly open valve C2. Under normal flow conditions, the reduced pressure setting will fall slightly, but will control under "dead end" conditions. If required, the pressure setting can be increased by re-adjusting the BRV2 control. There will be a slight increase in set pressure under no load conditions.

Note.

Bypass line and valve C3 should be installed to conform to local requirements.

Recommended Installation

