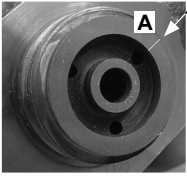
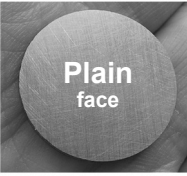
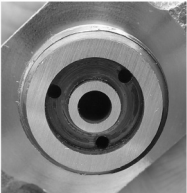



BROil-SD Spare Disc Kit Installation Instructions

Note: Before actioning any installation of the SD type disc read the 'Safety information' within Section 1 of the product specific IM; which would have been originally supplied with your unit.

General information: The original BROil trap had a fixed bleed feature applied to the outer seat land. The new BROil-SD trap is produced with an equivalent scribed feature applied to the disc. The BROil-SD product is now aligned with other similar products having the scribed disc.

Installation of the BROil-SD type disc: The SD disc supplied in the spare disc kit is scribed on one face and plain on the opposite face. This enables Spirax Sarco to supply a universal disc to customers to suit either the original BROil or the new scribed Broil-SD trap.

BROil-SD spare disc kit	(packet of 3)	Item 3 - See Figure 5
<p>a.</p> <p>For BROil traps with a groove in the body seat 'A' - See Figure 1</p> <p>Please install the plain side of the enclosed disc against the body seat:</p>	 <p>Fixed bleed indent on the outer body seat</p>	 <p>Plain face</p>
<p>b.</p> <p>For the new BROil-SD traps which have a plain body seat - See Figure 3</p> <p>Please install the scribed side of the enclosed disc against the body seat:</p>		 <p>Scribed face</p>

Removal and reassembly:

- Unscrew the cap (2) and remove the disc (3).
- Reassemble the unit by replacing the disc and cap (3 and 2, 36 A/F) and apply a fine smear of Molybdenum Disulphide grease to the threads of the body (1) and proceed to tighten to the recommended torque: 135 to 150 N m (99 to 110 lbf ft).
- Test the unit. On test the unit should operate at a rate 160 / 220 cycles per minute on a 6 bar g (87 psi g) air system.

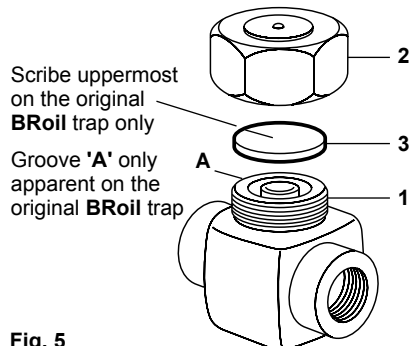


Fig. 5