
Supplementary Installation Instructions

Actuator Adaptor Ring

Installation and Maintenance Instructions

1. General safety information

Safe operation of any product having an actuator adaptor ring fitted can only be guaranteed if it has been properly installed, as shown in these installation instructions. General installation and safety instructions for pipeline and plant construction must also be complied with.

2. General description

Spirax Sarco actuators which are suitable for sizes DN15 to DN50 (½" to 2") control valves are supplied with the enclosed adaptor ring.

3. Installation

The adaptor ring should be used when fitting the actuator onto any control valve having an M30 (30 mm diameter) actuator mounting nut, and be positioned as shown in Figure 1. Control valves which have an M34 (34 mm diameter) mounting nut, do not require this adaptor.

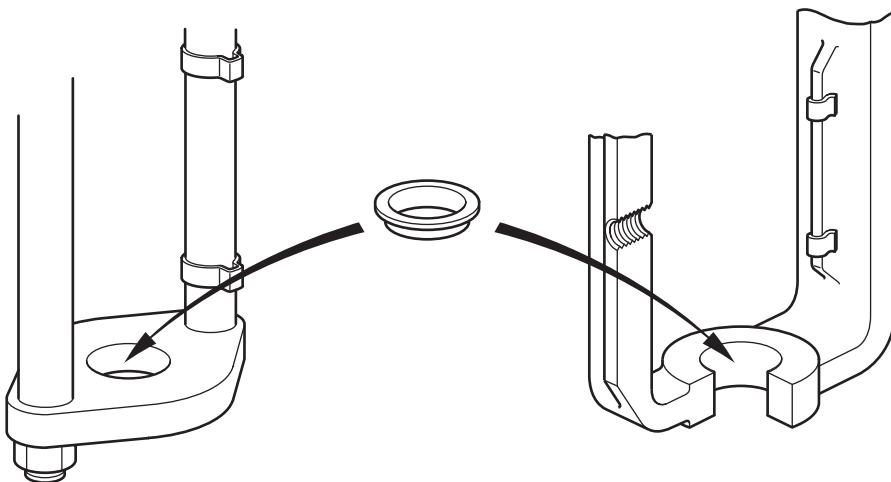


Fig .1