



## PP Series Pneumatic Series Actuator

### Description

PP Series is a linear pneumatic piston type actuator that provides positive throttling or on-off operation for automatic control valves. The cylinders are designed for instrument air supply pressures of up to 100 psi. This actuator can be single or double-acting and spring-return. This actuator is fully field reversible for air-to-open or air-to-close action. Can be supplied with Handwheel for manual operation.

<b>Maximum Supply Pressure</b>	100 psi g
<b>Sping Range</b>	Standard: 25 - 50 psi g

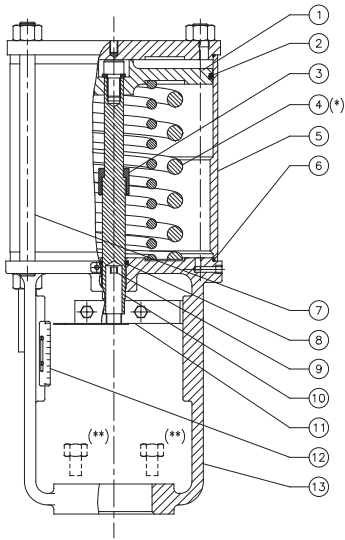
### Actuator Specifications

Size	Piston Area (inch)	Available Stroke (inch)
02	10.64	$\frac{7}{16}$
03	28	$\frac{1}{4}$ and $\frac{3}{8}$
04	50	$\frac{3}{4}$ to 2
05	81	1.½ to 4
06	133	2 to 7
07	227	2 to 7

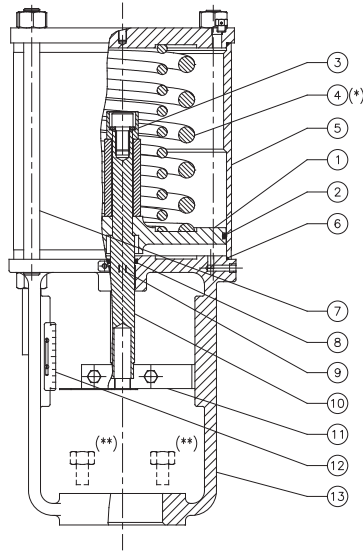


### Materials

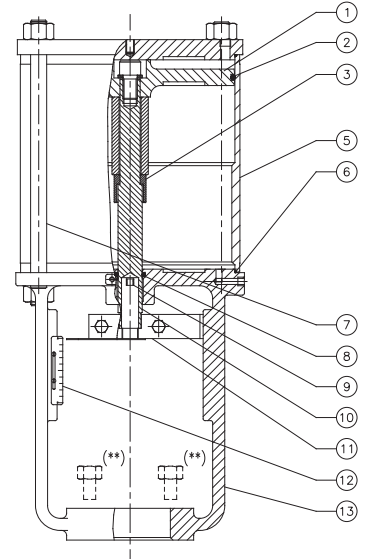
No.	Part	Material
1	Piston	Casting Iron
2	O-Ring	Elastomer
3	Stroke Limiter	Carbon Steel
4	Spring	Carbon Steel
5	Cylinder	Carbon Steel
6	O-Ring	Elastomer
7	Tension Screw	Carbon Steel
8	O-Ring	Elastomer
9	Guide Bush	PTFE
10	Stem	Stainless Steel
11	Conector	Carbon Steel
12	Stoke Plate	Stainless Steel
13	Yoke	Casting Iron



Direct Acting



Reverse Acting



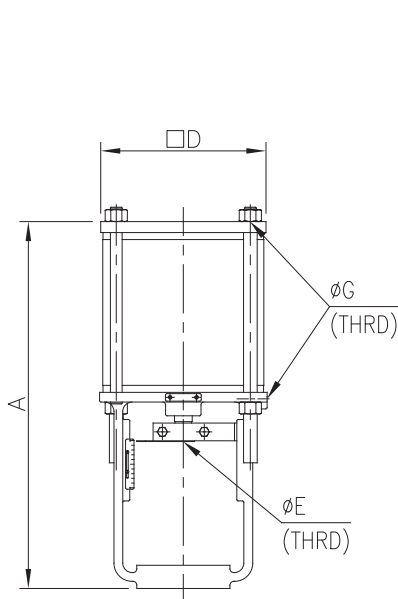
Double Acting

(\*) Quantity of springs depends on spring range.  
 (\*\*) These screws are available up to 04 Actuator's size.

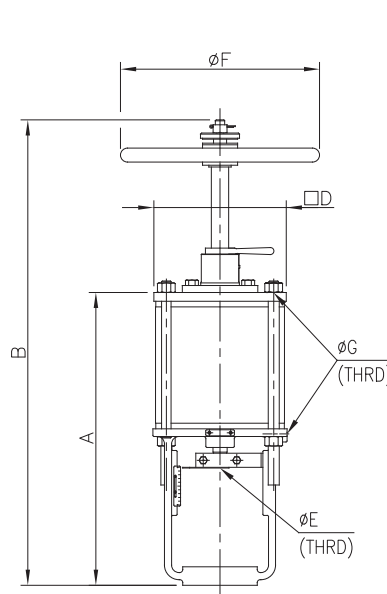
### Size and Dimensions (approximate) in mm

Size (inch)	Dimensiones (mm)						
	A*	B*	C*	□D	ØE	ØF	ØG
02	195	301	317	108	¼"-28UNF-2B	165	1/8"-NPT
03	315	472	460	175	⅜"-24UNF-2B	235	1/4"-18NPT
04	720	657	608	226	½"-20UNF-2B	340	1/4"-18NPT
05	877	1118	1065	290	¾"-16UNF-2B	480	1/4"-18NPT
06	1469	1533	1350	360	1"-12UNF-2B	340	3/8"-18NPT
07	1598	-	2127	480	1.1/2"-16UN-2B	480	3/8"-18NPT

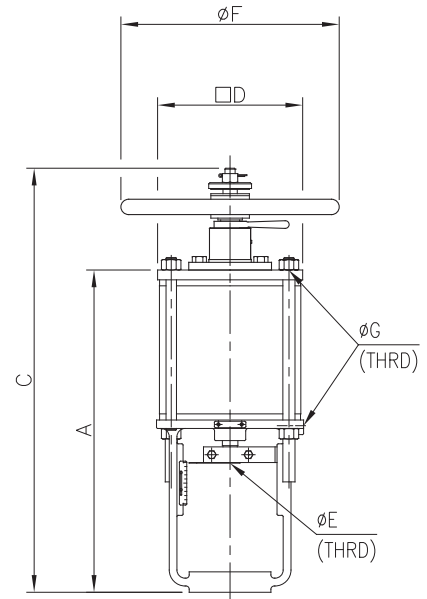
(\*) These dimensions are maximum. Could be less depending on stroke options.



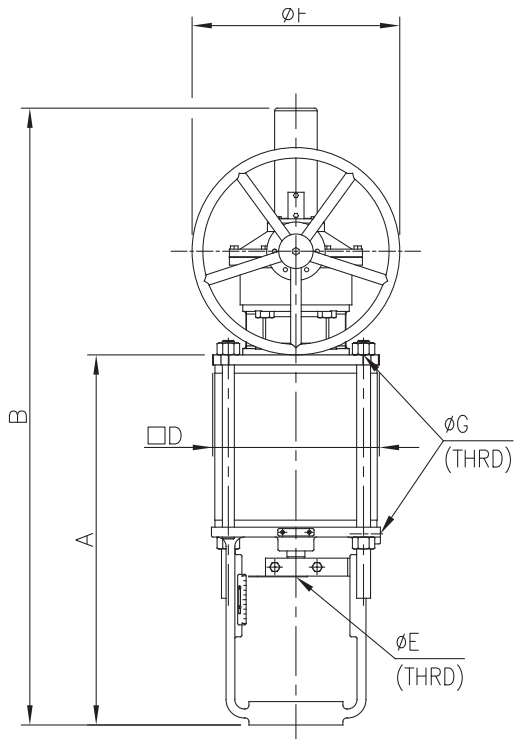
Direct or Reverse Actuator



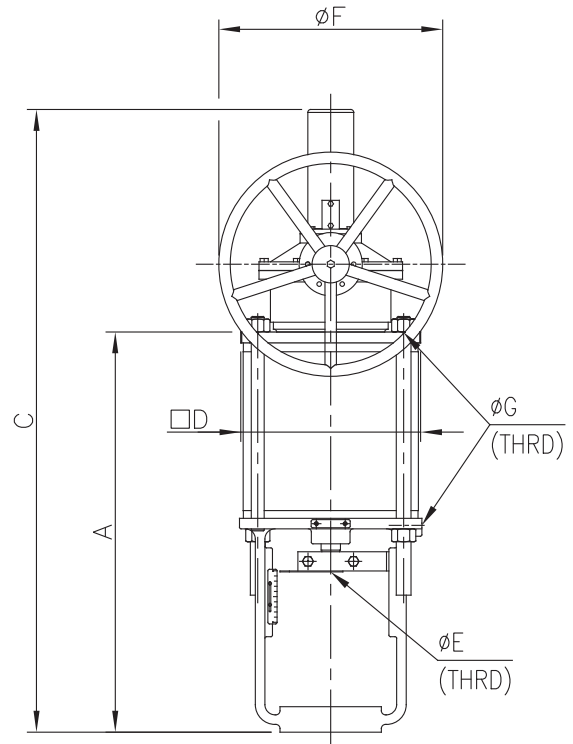
Direct Actuator with Handwheel (up to 05 size)



Direct Actuator with Handwheel (up to 05 size)



Direct Actuator  
with Handwheel  
(06 and 07  
sizes)



Reverse  
Actuator with  
Handwheel (06  
and 07 sizes)

## Accessories

Pneumatic positioners, electro-pneumatic positioners, smart positioners, air regulators, Limit switch, electro-pneumatic transducer, solenoid valves and others.