



DAB Series Steam Desuperheater

Description

Hiter DAB Series is a Steam Desuperheater with multiple nozzles designed to work with large spray water flows. The DAB desuperheater, with the atomizing nozzles connected, is part of the steam line.

Technical Specifications

Pipe Diameters	24 up to 60in. Other sizes available upon request, contact SPIRAX SARCO HITER.
Classes	ASME 150, 300, 600, 900, 1500 or 2500.
Nozzle Body Material	ASTM A216 Gr. WCB carbon steel, ASTM A351 Gr. CF8M stainless steel or ASTM A217 Gr. WC9 Cr-Mo Alloy Steel. Other materials are available on request.
Nozzle Trim Materials	420 stainless steel plug and Inconel spring.
Water Pipe Material	Carbon steel, Cr-Mo Alloy Steel or Stainless Steel
Steam Pipe Material	Carbon steel, Cr-Mo Alloy Steel or Stainless Steel.



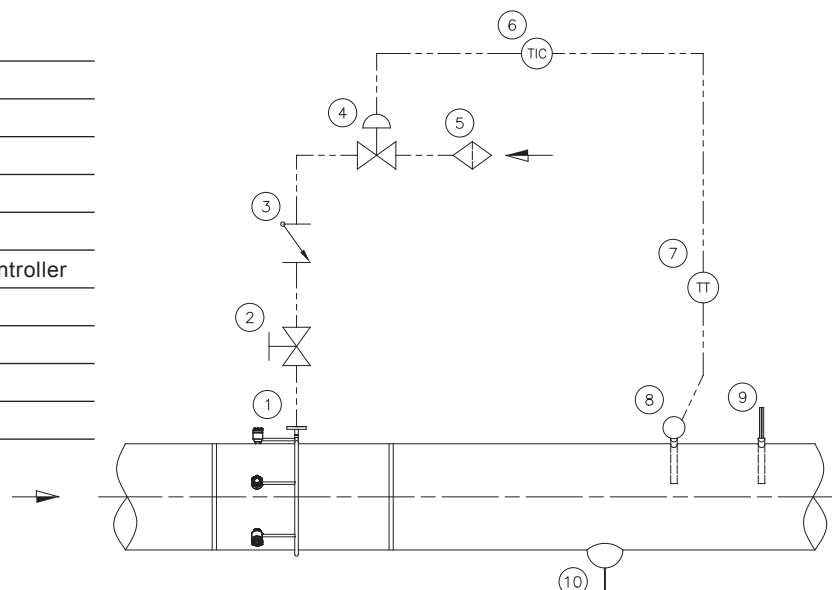
Flow Coefficient - C_v

Nozzle	1A	2A	3A	4A	3B	3C	4C	5C	6C
C_v	0,5	1,0	2,0	3,0	4,0	6,0	8,0	10,0	12,0

Nozzle	5D	6D	7D	4E	4B	5E	6E	7E
C_v	15,0	18,0	21,0	24,0	4,0	30,0	36,0	42,0

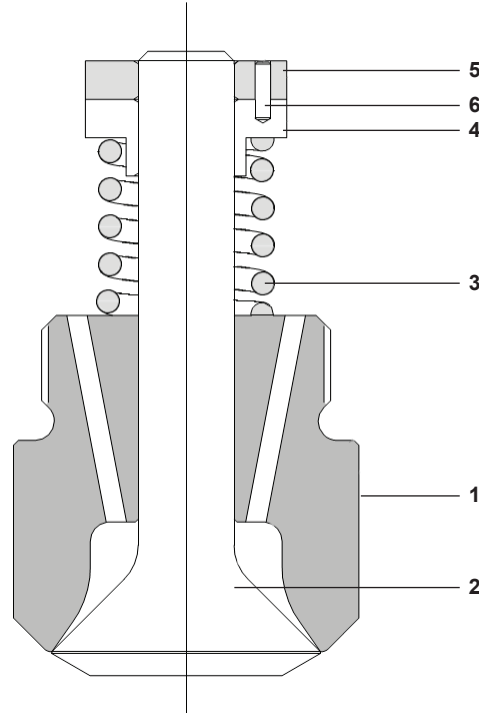
Typical Installation

- | | |
|----|--------------------------------------|
| 1 | DAB Desuperheater |
| 2 | Manual Block Valve |
| 3 | Check Valve |
| 4 | Temperature Control Valve |
| 5 | Strainer |
| 6 | Temperatura Indicator and Controller |
| 7 | Temperature Transmitter |
| 8 | Temperature Sensor |
| 9 | Thermometer |
| 10 | Drain |



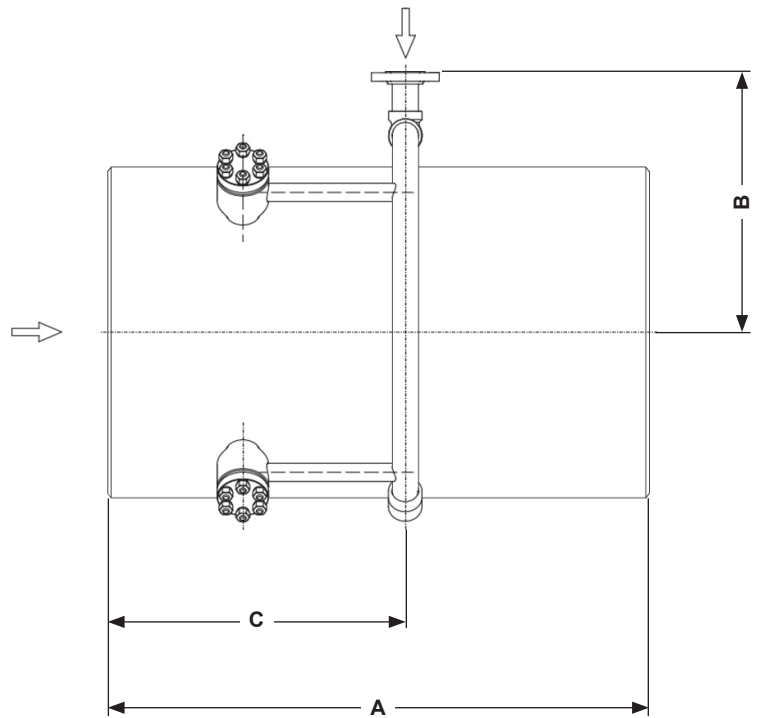
List of Components

No.	Part
1	Body
2	Plug
3	Spring
4	Nut
5	Jam Nut
6	Locking Pin



Dimensions (approximate) in mm

Nominal Pipe Diameter (in.)	A (mm)	B (mm)	C (mm)	Water Connection Maximum Diameter (in.)
24	1000	482	440	4
26	1000	505	440	4
28	1100	530	440	4
30	1100	555	440	4
32	1100	580	440	4
34	1200	605	440	4
36	1200	630	440	6
38	1200	656	440	6
40	1200	686	440	6
42	1200	715	440	6
44	1200	743	440	6
46	1300	806	440	6
48	1300	832	440	6
50	1300	810	440	6
52	1300	835	440	6
56	1400	900	900	6
60	1400	950	920	6



The dimensions are typical. They depends on the quantity of nozzles are required. In accordance to our policy of continuous development and improvement, this specification is subjected to modification at any time without prior notice.

Selection Guide

Pipe Size	24", 26", 28", 30", 32", 34", 36", 38", 40", 42", 44", 46", 48", 50", 52", 54", 58", 60".	<input type="text"/>
Pressure Class	150, 300, 600, 900 or 1500	<input type="text"/>
Body Materials	WCB, CF8M or WC9	<input type="text"/>
Nozzle Body Material	WCB or CF8M	<input type="text"/>
Trim Nozzle Material	420 Stainless Steel	<input type="text"/>
Cooling Fluid Piping Material	Carbon Steel, Alloy Steel or Stainless Steel	<input type="text"/>
Steam Pipe Material	Carbon Steel, Alloy Steel or Stainless Steel	<input type="text"/>

Order Example

DAB	30	300	WCB	420	Carbon Steel	Carbon Steel
-----	----	-----	-----	-----	--------------	--------------

How to Order

Example: 1 Hiter DAB Desuperheater in 30" class 300 WCB tubing, 420 stainless steel housing, carbon steel refrigerant piping material and carbon steel steam piping material.